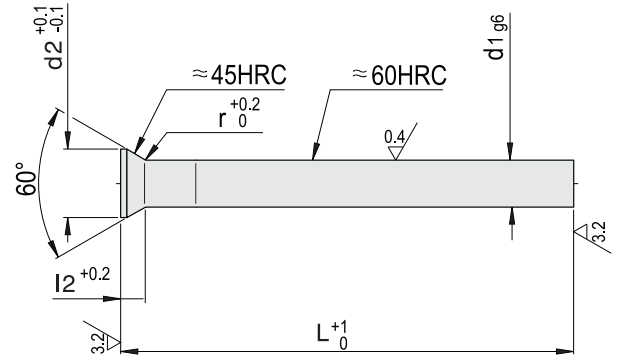


M1805

Havşa Başlı İtici Pim / DIN 1530-D

Mat.: 1.2210 Max. Isı Direnci 220°



Stoklarımızda tüm boylar ve ondalıklar mevcuttur.
Standart dışı özel ölçüler talep üzerine üretilir.

Sipariş Kodu	d1	L	d2	l2
M1805/1X80	1	80	1.8	0.5
M1805/1X100		100		
M1805/1X125		125		
M1805/1X160		160		
M1805/1X200		200		
M1805/1X250		250		
M1805/1.1X100	1.1	100	2.0	0.5
M1805/1.1X125		125		
M1805/1.1X160		160		
M1805/1.1X200		200		
M1805/1.2X100	1.2	100	2.0	0.5
M1805/1.2X125		125		
M1805/1.2X160		160		
M1805/1.2X200	200			
M1805/1.3X100	1.3	100	2.0	0.5
M1805/1.3X125		125		
M1805/1.3X160		160		
M1805/1.3X200	200			
M1805/1.4X100	1.4	100	2.0	0.5
M1805/1.4X125		125		
M1805/1.4X160		160		
M1805/1.4X200		200		
M1805/1.5X80	1.5	80	2.2	0.5
M1805/1.5X100		100		
M1805/1.5X125		125		
M1805/1.5X160		160		
M1805/1.5X200		200		
M1805/1.5X250		250		
M1805/1.6X100	1.6	100	2.5	0.5
M1805/1.6X125		125		
M1805/1.6X160		160		
M1805/1.6X200		200		
M1805/1.7X100	1.7	100	2.5	0.5
M1805/1.7X125		125		
M1805/1.7X160		160		
M1805/1.7X200	200			
M1805/1.8X100	1.8	100	2.5	0.5
M1805/1.8X125		125		
M1805/1.8X160		160		
M1805/1.8X200		200		

Sipariş Kodu	d1	L	d2	l2
M1805/1.9X100	1.9	100	2.5	0.5
M1805/1.9X125		125		
M1805/1.9X160		160		
M1805/1.9X200		200		
M1805/2X80	2	80	3.0	0.5
M1805/2X100		100		
M1805/2X125		125		
M1805/2X160		160		
M1805/2X200	200			
M1805/2X250	250			
M1805/2X315	315			
M1805/2.1X100	2.1	100	3.2	0.5
M1805/2.1X125		125		
M1805/2.1X160		160		
M1805/2.1X200		200		
M1805/2.2X100	2.2	100	3.2	0.5
M1805/2.2X125		125		
M1805/2.2X160		160		
M1805/2.2X200	200			
M1805/2.3X100	2.3	100	3.2	0.5
M1805/2.3X125		125		
M1805/2.3X160		160		
M1805/2.3X200		200		
M1805/2.4X100	2.4	100	3.2	0.5
M1805/2.4X125		125		
M1805/2.4X160		160		
M1805/2.4X200		200		
M1805/2.5X80	2.5	80	3.5	0.5
M1805/2.5X100		100		
M1805/2.5X125		125		
M1805/2.5X160		160		
M1805/2.5X200		200		
M1805/2.5X250		250		
M1805/2.5X315	315			
M1805/2.6X100	2.6	100	4.0	0.5
M1805/2.6X125		125		
M1805/2.6X160		160		
M1805/2.6X200	200			
M1805/2.7X100	2.7	100	4.0	0.5
M1805/2.7X125		125		

Sipariş Kodu	d1	L	d2	l2
M1805/2.7X160	2.7	160	4.0	0.5
M1805/2.7X200		200		
M1805/2.8X100	2.8	100	4.0	0.5
M1805/2.8X125		125		
M1805/2.8X160		160		
M1805/2.8X200	200			
M1805/2.9X100	2.9	100	4.0	0.5
M1805/2.9X125		125		
M1805/2.9X160		160		
M1805/2.9X200		200		
M1805/3X80	3	80	4.5	0.5
M1805/3X100		100		
M1805/3X125		125		
M1805/3X160		160		
M1805/3X200		200		
M1805/3X250		250		
M1805/3X315	315			
M1805/3.1X100	3.1	100	4.5	0.5
M1805/3.1X125		125		
M1805/3.1X160		160		
M1805/3.1X200	200			
M1805/3.2X100	3.2	100	4.5	0.5
M1805/3.2X125		125		
M1805/3.2X160		160		
M1805/3.2X200		200		
M1805/3.3X100	3.3	100	4.5	0.5
M1805/3.3X125		125		
M1805/3.3X160		160		
M1805/3.3X200	200			
M1805/3.4X100	3.4	100	4.5	0.5
M1805/3.4X125		125		
M1805/3.4X160		160		
M1805/3.4X200		200		

Sipariş Kodu	d1	L	d2	I2
M1805/3.4X200	3.4	200	4.5	0.5
M1805/3.5X80		80		
M1805/3.5X100		100		
M1805/3.5X125	3.5	125	5.0	0.5
M1805/3.5X160		160		
M1805/3.5X200		200		
M1805/3.5X250		250		
M1805/3.5X315		315		
M1805/3.6X100		100		
M1805/3.6X125	3.6	125	5.0	0.5
M1805/3.6X160		160		
M1805/3.6X200		200		
M1805/3.7X100		100		
M1805/3.7X125	3.7	125	5.0	0.5
M1805/3.7X160		160		
M1805/3.7X200		200		
M1805/3.8X100		100		
M1805/3.8X125	3.8	125	5.0	0.5
M1805/3.8X160		160		
M1805/3.8X200		200		
M1805/3.9X100		100		
M1805/3.9X125	3.9	125	5.0	0.5
M1805/3.9X160		160		
M1805/3.9X200		200		
M1805/4X80		80		
M1805/4X100		100		
M1805/4X125	4	125	5.5	0.5
M1805/4X160		160		
M1805/4X200		200		
M1805/4X250		250		
M1805/4X315		315		
M1805/4.1X100		100		
M1805/4.1X125	4.1	125	5.5	0.5
M1805/4.1X160		160		
M1805/4.1X200		200		
M1805/4.2X100		100		
M1805/4.2X125	4.2	125	5.5	0.5
M1805/4.2X160		160		
M1805/4.2X200		200		
M1805/4.3X100		100		
M1805/4.3X125	4.3	125	5.5	0.5
M1805/4.3X160		160		
M1805/4.3X200		200		
M1805/4.4X100		100		
M1805/4.4X125	4.4	125	5.5	0.5
M1805/4.4X160		160		
M1805/4.4X200		200		
M1805/4.5X80		80		
M1805/4.5X100		100		
M1805/4.5X125	4.5	125	6.0	0.5
M1805/4.5X160		160		
M1805/4.5X200		200		
M1805/4.5X250		250		
M1805/4.5X315		315		
M1805/4.6X100		100		
M1805/4.6X125	4.6	125	6.0	0.5
M1805/4.6X160		160		
M1805/4.6X200		200		
M1805/4.7X100		100		
M1805/4.7X125	4.7	125	6.0	0.5

Sipariş Kodu	d1	L	d2	I2
M1805/4.7X160	4.7	160	6.0	0.5
M1805/4.7X200		200		
M1805/4.8X100		100		
M1805/4.8X125	4.8	125	6.0	0.5
M1805/4.8X160		160		
M1805/4.8X200		200		
M1805/4.9X100		100		
M1805/4.9X125	4.9	125	6.0	0.5
M1805/4.9X160		160		
M1805/4.9X200		200		
M1805/5X80		80		
M1805/5X100		100		
M1805/5X125	5	125	6.5	0.5
M1805/5X160		160		
M1805/5X200		200		
M1805/5X250		250		
M1805/5X315		315		
M1805/5.1X100		100		
M1805/5.1X125	5.1	125	6.5	0.5
M1805/5.1X160		160		
M1805/5.1X200		200		
M1805/5.2X100		100		
M1805/5.2X125	5.2	125	6.5	0.5
M1805/5.2X160		160		
M1805/5.2X200		200		
M1805/5.3X100		100		
M1805/5.3X125	5.3	125	6.5	0.5
M1805/5.3X160		160		
M1805/5.3X200		200		
M1805/5.4X100		100		
M1805/5.4X125	5.4	125	6.5	0.5
M1805/5.4X160		160		
M1805/5.4X200		200		
M1805/5.5X80		80		
M1805/5.5X100		100		
M1805/5.5X125	5.5	125	7.0	0.5
M1805/5.5X160		160		
M1805/5.5X200		200		
M1805/5.5X250		250		
M1805/5.5X315		315		
M1805/5.6X100		100		
M1805/5.6X125	5.6	125	7.0	0.5
M1805/5.6X160		160		
M1805/5.6X200		200		
M1805/5.7X100		100		
M1805/5.7X125	5.7	125	7.0	0.5
M1805/5.7X160		160		
M1805/5.7X200		200		
M1805/5.8X100		100		
M1805/5.8X125	5.8	125	7.0	0.5
M1805/5.8X160		160		
M1805/5.8X200		200		
M1805/5.9X100		100		
M1805/5.9X125	5.9	125	7.0	0.5
M1805/5.9X160		160		
M1805/5.9X200		200		
M1805/6X80		80		
M1805/6X100	6	100	8.0	0.5
M1805/6X125		125		
M1805/6X160		160		

Sipariş Kodu	d1	L	d2	I2
M1805/6X200		200		
M1805/6X250	6	250	8.0	0.5
M1805/6X315		315		
M1805/6.5X80		80		
M1805/6.5X100		100		
M1805/6.5X125	6.5	125	9.0	1.0
M1805/6.5X160		160		
M1805/6.5X200		200		
M1805/6.5X250		250		
M1805/6.5X315		315		
M1805/7X80		80		
M1805/7X100		100		
M1805/7X125	7	125	9.0	1.0
M1805/7X160		160		
M1805/7X200		200		
M1805/7X250		250		
M1805/7X315		315		
M1805/7.5X80		80		
M1805/7.5X100		100		
M1805/7.5X125	7.5	125	10	1.0
M1805/7.5X160		160		
M1805/7.5X200		200		
M1805/7.5X250		250		
M1805/7.5X315		315		
M1805/8X80		80		
M1805/8X100		100		
M1805/8X125	8	125	10	1.0
M1805/8X160		160		
M1805/8X200		200		
M1805/8X250		250		
M1805/8X315		315		
M1805/8.5X80		80		
M1805/8.5X100		100		
M1805/8.5X125	8.5	125	11	1.0
M1805/8.5X160		160		
M1805/8.5X200		200		
M1805/8.5X250		250		
M1805/8.5X315		315		
M1805/9X80		80		
M1805/9X100		100		
M1805/9X125	9	125	11	1.0
M1805/9X160		160		
M1805/9X200		200		
M1805/9X250		250		
M1805/9X315		315		
M1805/9.5X80		80		
M1805/9.5X100		100		
M1805/9.5X125	9.5	125	12	1.0
M1805/9.5X160		160		
M1805/9.5X200		200		
M1805/9.5X250		250		
M1805/9.5X315		315		
M1805/10X80		80		
M1805/10X100		100		
M1805/10X125	10	125	12	1.0
M1805/10X160		160		
M1805/10X200		200		
M1805/10X250		250		
M1805/10X315		315		
M1805/10.5X80	10.5	80	13	1.0

Sipariş Kodu	d1	L	d2	I2
M1805/10.5X100		100		
M1805/10.5X125		125		
M1805/10.5X160	10.5	160	13	1.0
M1805/10.5X200		200		
M1805/10.5X250		250		
M1805/10.5X315		315		
M1805/11X80		80		
M1805/11X100		100		
M1805/11X125	11	125	13	1.0
M1805/11X160		160		
M1805/11X200		200		
M1805/11X250		250		
M1805/11X315		315		
M1805/11.5X80		80		
M1805/11.5X100		100		
M1805/11.5X125	11.5	125	14	1.0
M1805/11.5X160		160		
M1805/11.5X200		200		
M1805/11.5X250		250		
M1805/11.5X315		315		
M1805/12X80		80		
M1805/12X100		100		
M1805/12X125		125		
M1805/12X160	12	160	14	1.0
M1805/12X200		200		
M1805/12X250		250		
M1805/12X315		315		
M1805/12.5X80		80		
M1805/12.5X100		100		
M1805/12.5X125		125		
M1805/12.5X160	12.5	160	15	1.0
M1805/12.5X200		200		
M1805/12.5X250		250		
M1805/12.5X315		315		
M1805/13X80		80		
M1805/13X100		100		
M1805/13X125		125		
M1805/13X160	13	160	15	1.0
M1805/13X200		200		
M1805/13X250		250		
M1805/13X315		315		
M1805/14X80		80		
M1805/14X100		100		
M1805/14X125		125		
M1805/14X160	14	160	16	1.5
M1805/14X200		200		
M1805/14X250		250		
M1805/14X315		315		
M1805/16X80		80		
M1805/16X100		100		
M1805/16X125		125		
M1805/16X160	16	160	18	1.5
M1805/16X200		200		
M1805/16X250		250		
M1805/16X315		315		